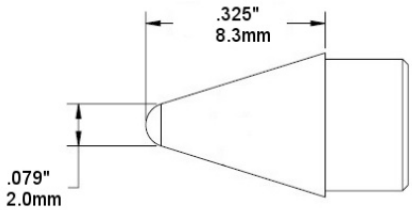
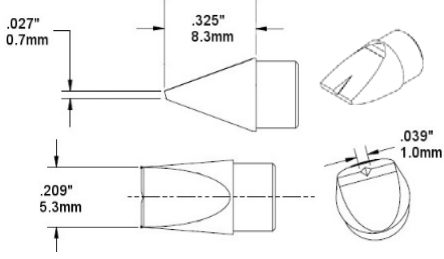
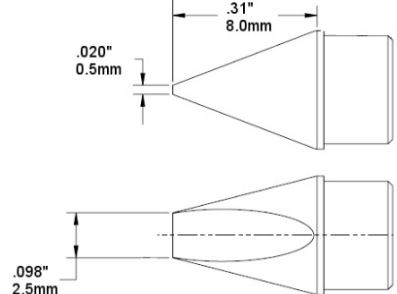
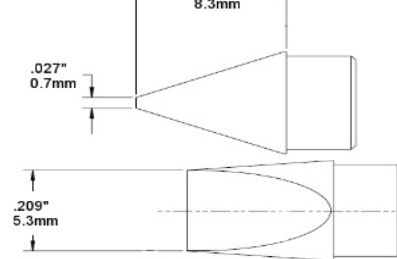


HCV Cartridges are compatible with MX-500, MX-5000, MX-5200 and CV-5200 Systems –MX-H6-HTD and CV-H6-HTD Hand pieces

HTC Cartridges are compatible with MX-500, MX-5000 and MX-5200 Systems –MX-H6-HTD Hand pieces

Temperature	HCV	HTC	Application
775°F/413°C	HCV-7	HTC-7	Most Standard  Ceramic and High Thermal Demand
875°F/468°C	HCV-8	HTC-8	
925°F/496°C	HCV-9	HTC-9	

Please note the above temperatures are the maximum temperatures of the heater. The idle temperature is dependent on the geometry of the cartridge (up to 15°C lower.)

	<p>HCV-7CN0020S</p> <p>HCV-8CN0020S</p> <p>HCV-9CN0020S</p>	<p>HTC-7CN0020S</p> <p>HTC-8CN0020S</p> <p>HTC-9CN0020S</p>	<p>Conical 2mm x 8.3mm (.079"x .325")</p>
	<p>HCV-7VG0053S</p> <p>HCV-8VG0053S</p> <p>HCV-9VG0053S</p>	<p>HTC-7VC0053S</p> <p>HTC-8VC0053S</p> <p>HTC-9VC0053S</p>	<p>V-Groove Chisel 40° 5.3mm x 8.3mm (.209" x .325")</p>
	<p>HCV-7CH0025S</p> <p>HCV-8CH0025S</p> <p>HCV-9CH0025S</p>	<p>HTC-7CH0025S</p> <p>HTC-8CH0025S</p> <p>HTC-9CH0025S</p>	<p>Chisel 40° 2.5mm x 8mm (.098"x .31")</p>
	<p>HCV-7CH0053S</p> <p>HCV-8CH0053S</p> <p>HCV-9CH0053S</p>	<p>HTC-7CH0053S</p> <p>HTC-8CH0053S</p> <p>HTC-9CH0053S</p>	<p>Chisel 40° 5.3mm x 8.3mm (.209"x .325")</p>